

HORIZONTAL STIMULATION TOOL (HST)



The Horizontal Stimulation Tool is latest innovation in propellant design and can be used for a wide variety of applications. Initially designed as a more cost effective solution for long intervals, the HST System combines the effectiveness of Stim™ material with the reliability of a “dry system” explosive train and connection system. The modular design of the propellant allows for ease of loading for virtually any length and can be run directly on workstring, coil tubing, electric line, or slickline.

Features

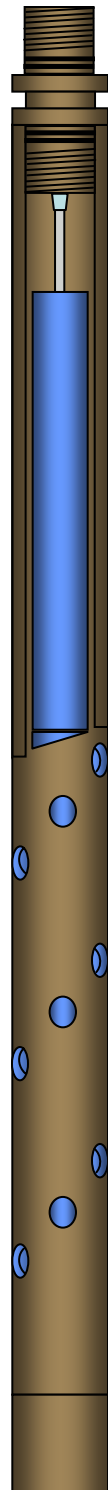
- *Unlimited interval length in a single run*
- *Can run stand alone or in conjunction with perforating systems*
- *Can be run on pipe, coil tubing, e-line, or slickline*
- *Carrier system is reusable*

Applications

- *Horizontal wells*
- *Open Hole completions*
- *Any remedial stimulation work*
- *Gravel Pack screen cleaning*
- *Run in “blank intervals” for TCP*

Specifications

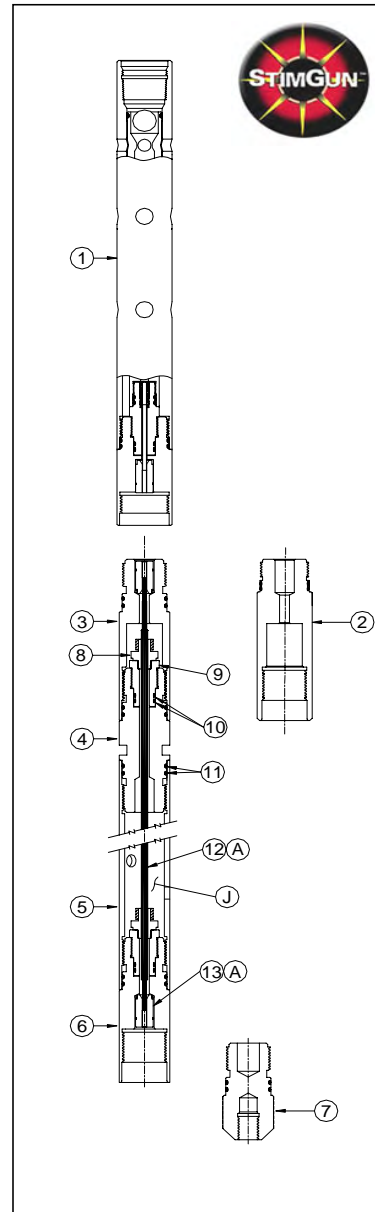
Carrier OD	Propellant OD	Length	Max Temp	Rapid Burn at Surface	Incompatible Fluids
2 1/32"	1 3/8"	23.75"	250 deg F	NO	Methanol, Condensate, Xylene
2 7/8"	2"	23.75"	250 deg F	NO	Methanol, Condensate, Xylene



2-1/32" HST™ SYSTEM

Available only to StimGun Licensees

Item	Part Number	Description	Req'd
1	--	Firing Head (Ball Drop Shown)	
2	ST-HST-2030-032	Firing Head - X-Over Sub	
3	ST-HST-2030-002	HST Top Sub 2-1/32", Pin x Box	
4	ST-HST-2030-001	HST Sub 2-1/32", Grooved Pin to Pin	
5	ST-HST-2030-C04	HST Carrier 2-1/32" x 4'	
	ST-HST-2030-C07	HST Carrier 2-1/32" x 7'	
	ST-HST-2030-C11	HST Carrier 2-1/32" x 11'	
	ST-HST-2030-C15	HST Carrier 2-1/32" x 15'	
	ST-HST-2030-C21	HST Carrier 2-1/32" x 21'	
	ST-HST-2030-C22	HST Carrier 2-1/32" x 22'	
6	ST-HST-2030-005	HST Bottom Sub 2-1/32", Pin x Box Transfer	
7	ST-HST-2030-009	HST Bull Plug 2-1/32" x Gauge Connection	
8	ST-HST-0000-020	Control Line Fitting	2
9			NR
10			NR
11	OR-N569-221	O-Ring, PC #221	8
12	ST-HST-0000-050	Control Line, Stainless Steel (>1,500 psi)	AR
	ST-HST-0000-055	Control Line, Plastic (<1,500 psi)	
13	TC-TCP-0000-026	Transfer Insert, Small	2
	ST-HST-0000-004	HST Bushing (not shown)	2
A	--	Det. Cord 80 gr/ft RDX	AR
B	--	Booster HMX BiDirectional	2
J	ST-HST-P138	1-3/8" OD HST Propellant	AR



2-7/8" HST™ SYSTEM

Available only to StimGun
Licensees

Item	Part Number	Description	Req'd
1	--	Firing Head (Ball Drop Shown)	
2	ST-HST-2875-032	Firing Head - X-Over Sub	
3	ST-HST-2875-002	HST Top Sub 2-7/8", Pin x Box	
4	ST-HST-2875-001	HST Sub 2-7/8", Grooved Pin to Pin	
5	ST-HST-2875-C04	HST Carrier 2-7/8" x 4'	
	ST-HST-2875-C07	HST Carrier 2-7/8" x 7'	
	ST-HST-2875-C11	HST Carrier 2-7/8" x 11'	
	ST-HST-2875-C15	HST Carrier 2-7/8" x 15'	
	ST-HST-2875-C21	HST Carrier 2-7/8" x 21'	
	ST-HST-2875-C22	HST Carrier 2-7/8" x 22'	
6	ST-HST-2875-005	HST Top Sub 2-7/8", Pin x Box Transfer	
7	ST-HST-2875-009	HST Bull Plug 2-7/8" x Gauge Connection	
8	ST-HST-0000-020	Control Line Fitting	2
9	ST-HST-0000-003	Connector, Control line	2
10	OR-N569-214	O-Ring PC #214	4
11	OR-N569-228	O-Ring, PC #228	8
12	ST-HST-0000-050	Control Line, Stainless Steel (>1,500 psi)	AR
	ST-HST-0000-055	Control Line, Plastic (<1,500 psi)	
13	TC-TCP-0000-025	Transfer Insert	2
	ST-HST-0000-004	HST Bushing (not shown)	2
A	--	Det. Cord 80 gr/ft RDX	AR
B	--	Booster HMX BiDirectional	2
J	ST-HST-P200	2" OD HST Propellant	AR

