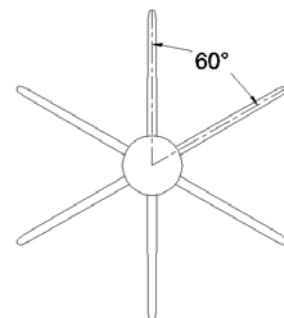
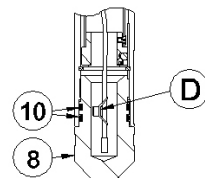
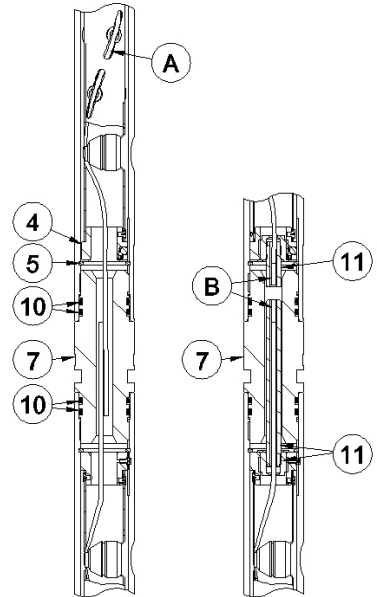
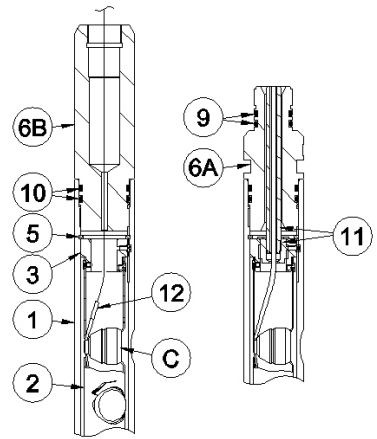


2 1/2" Scalloped Gun System
4 spf 60° Phased, XDP System

Item	Part Number	Description
	GA2504-7025A-A080	Carrier Assembly 2 1/2" x 21', 4 spf, 60° Phased
	GA2504-7025A-A056	Carrier Assembly 2 1/2" x 15', 4 spf, 60° Phased
	GA2504-7025A-A040	Carrier Assembly 2 1/2" x 11', 4 spf, 60° Phased
	GA2504-7025A-A024	Carrier Assembly 2 1/2" x 7', 4 spf, 60° Phased
	GA2504-7025A-A012	Carrier Assembly 2 1/2" x 4', 4 spf, 60° Phased
*1	C2504-A080	Carrier 2 1/2" x 21', 4 spf, 60° Phased
	C2504-A056	Carrier 2 1/2" x 15', 4 spf, 60° Phased
	C2504-A040	Carrier 2 1/2" x 11', 4 spf, 60° Phased
	C2504-A024	Carrier 2 1/2" x 7', 4 spf, 60° Phased
	C2504-A012	Carrier 2 1/2" x 4', 4 spf, 60° Phased
*2	T7025A-04-A080	Tube Strip 2 1/2" x 21', 4 spf, 60° Phased
	T7025A-04-A056	Tube Strip 2 1/2" x 15', 4 spf, 60° Phased
	T7025A-04-A040	Tube Strip 2 1/2" x 11', 4 spf, 60° Phased
	T7025A-04-A024	Tube Strip 2 1/2" x 7', 4 spf, 60° Phased
	T7025A-04-A012	Tube Strip 2 1/2" x 4', 4 spf, 60° Phased
*3	GN-EP25-7000	Top End Plate (1 qty)
*4	GN-EP25-7015	Bottom End Plate (1 qty)
*5	N5000-200	Snap Ring N5000-200 (2 qty)
* Included in Carrier Assembly		

6A	GN-R25-0020	Top Sub, 2 1/2" (TCP)
6B	GN-R25-0035	Top Sub, 2 1/2" (W/L)
7	GN-R25-0021	Tandem, 2 1/2"
8	GN-R25-0022	Bull Plug, 2 1/2"
9	OR-N569-215	O'Ring #215 Nitrile - Reference 'O'Ring Section
10	OR-N569-225	O'Ring #225 Nitrile - Reference 'O'Ring Section
11	GN-025-0100	TCP Transfer Kit., 2 1/2"
12	--	Detonating Cord End Cover
A	--	Detonating Cord, 40 Grain Ribbon - Reference Det Cord Section
B	--	Booster
C	EC1-25A1122	Charge, 11.0g HMX, 2511 RaZor™
	EC1-25A1122-RC	Charge, 11.0g HMX, 2511 ConneX™
D	--	Detonator - Reference Detonator Section



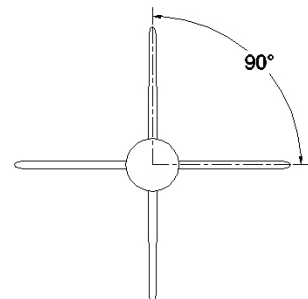
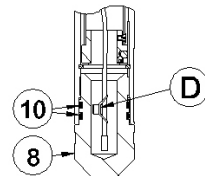
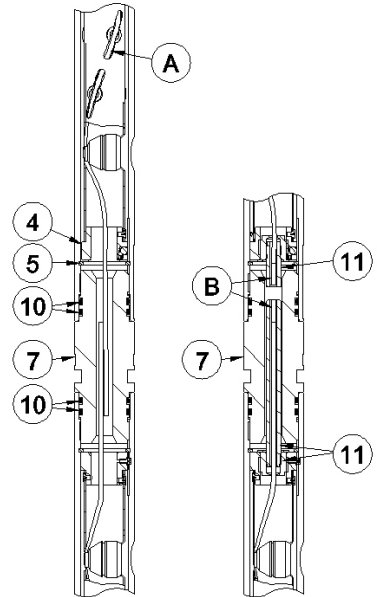
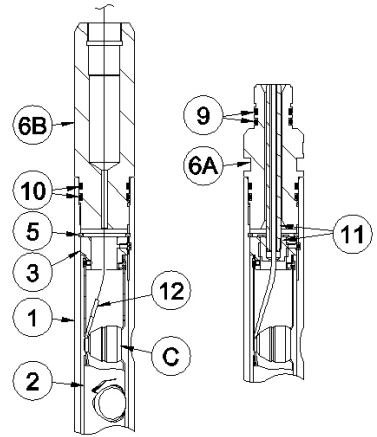
2 1/2" 4spf 60°

2 1/2" Scalloped Gun System
4 spf 90° Phased, XDP System

Item	Part Number	Description
	GA2504-7025A-B080	Carrier Assembly 2 1/2" x 21', 4 spf, 90° Phased
	GA2504-7025A-B056	Carrier Assembly 2 1/2" x 15', 4 spf, 90° Phased
	GA2504-7025A-B040	Carrier Assembly 2 1/2" x 11', 4 spf, 90° Phased
	GA2504-7025A-B024	Carrier Assembly 2 1/2" x 7', 4 spf, 90° Phased
	GA2504-7025A-B012	Carrier Assembly 2 1/2" x 4', 4 spf, 90° Phased
*1	C2504-B080	Carrier 2 1/2" x 21', 4 spf, 90° Phased
	C2504-B056	Carrier 2 1/2" x 15', 4 spf, 90° Phased
	C2504-B040	Carrier 2 1/2" x 11', 4 spf, 90° Phased
	C2504-B024	Carrier 2 1/2" x 7', 4 spf, 90° Phased
	C2504-B012	Carrier 2 1/2" x 4', 4 spf, 90° Phased
*2	T7025A-04-B080	Tube Strip 2 1/2" x 21', 4 spf, 90° Phased
	T7025A-04-B056	Tube Strip 2 1/2" x 15', 4 spf, 90° Phased
	T7025A-04-B040	Tube Strip 2 1/2" x 11', 4 spf, 90° Phased
	T7025A-04-B024	Tube Strip 2 1/2" x 7', 4 spf, 90° Phased
	T7025A-04-B012	Tube Strip 2 1/2" x 4', 4 spf, 90° Phased
*3	GN-EP25-7000	Top End Plate (1 qty)
*4	GN-EP25-7015	Bottom End Plate (1 qty)
*5	N5000-200	Snap Ring N5000-200 (2 qty)

* Included in Carrier Assembly

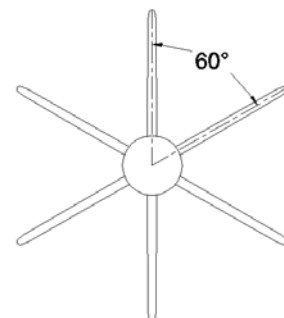
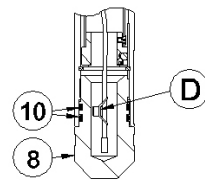
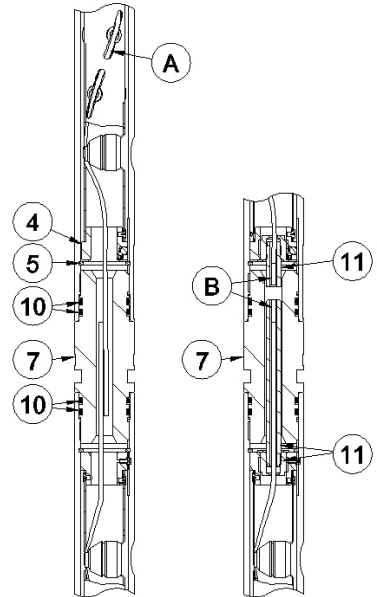
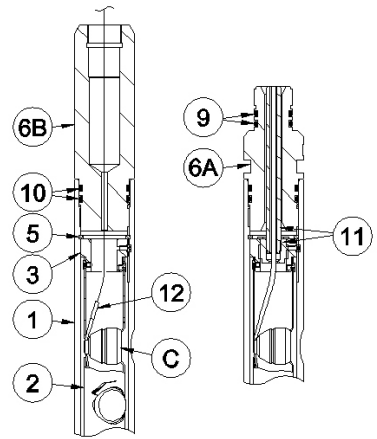
6A	GN-R25-0020	Top Sub, 2 1/2" (TCP)
6B	GN-R25-0035	Top Sub, 2 1/2" (W/L)
7	GN-R25-0021	Tandem, 2 1/2"
8	GN-R25-0022	Bull Plug, 2 1/2"
9	OR-N569-215	O'Ring #215 Nitrile - Reference 'O'Ring Section
10	OR-N569-225	O'Ring #225 Nitrile - Reference 'O'Ring Section
11	GN-025-0100	TCP Transfer Kit., 2 1/2"
12	--	Detonating Cord End Cover
A	--	Detonating Cord, 40 Grain Ribbon - Reference Det Cord Section
B	--	Booster
C	EC1-25A1122	Charge, 11.0g HMX, 2511 RaZor™
	EC1-25A1122-RC	Charge, 11.0g HMX, 2511 ConneX™
D	--	Detonator - Reference Detonator Section



2 1/2" 4spf 90°

Item	Part Number	Description
	GA2506-7025A-A120	Carrier Assembly 2 1/2" x 21', 6 spf, 60° Phased
	GA2506-7025A-A084	Carrier Assembly 2 1/2" x 15', 6 spf, 60° Phased
	GA2506-7025A-A060	Carrier Assembly 2 1/2" x 11', 6 spf, 60° Phased
	GA2506-7025A-A036	Carrier Assembly 2 1/2" x 7', 6 spf, 60° Phased
	GA2506-7025A-A018	Carrier Assembly 2 1/2" x 4', 6 spf, 60° Phased
*1	C2506-A120	Carrier 2 1/2" x 21', 6 spf, 60° Phased
	C2506-A084	Carrier 2 1/2" x 15', 6 spf, 60° Phased
	C2506-A060	Carrier 2 1/2" x 11', 6 spf, 60° Phased
	C2506-A036	Carrier 2 1/2" x 7', 6 spf, 60° Phased
	C2506-A018	Carrier 2 1/2" x 4', 6 spf, 60° Phased
*2	T7025A-06-A120	Tube Strip 2 1/2" x 21', 6 spf, 60° Phased
	T7025A-06-A084	Tube Strip 2 1/2" x 15', 6 spf, 60° Phased
	T7025A-06-A060	Tube Strip 2 1/2" x 11', 6 spf, 60° Phased
	T7025A-06-A036	Tube Strip 2 1/2" x 7', 6 spf, 60° Phased
	T7025A-06-A018	Tube Strip 2 1/2" x 4', 6 spf, 60° Phased
*3	GN-EP25-7000	Top End Plate (1 qty)
*4	GN-EP25-7015	Bottom End Plate (1 qty)
*5	N5000-200	Snap Ring N5000-200 (2 qty)
* Included in Carrier Assembly		

6A	GN-R25-0020	Top Sub, 2 1/2" (TCP)
6B	GN-R25-0035	Top Sub, 2 1/2" (W/L)
7	GN-R25-0021	Tandem, 2 1/2"
8	GN-R25-0022	Bull Plug, 2 1/2"
9	OR-N569-215	O'Ring #215 Nitrile - Reference 'O'Ring Section
10	OR-N569-225	O'Ring #225 Nitrile - Reference 'O'Ring Section
11	GN-025-0100	TCP Transfer Kit., 2 1/2"
12	--	Detonating Cord End Cover
A	--	Detonating Cord, 40 Grain Ribbon - Reference Det Cord Section
B	--	Booster
C	EC1-25A1122	Charge, 11.0g HMX, 2511 RaZor™
	EC1-25A1122-RC	Charge, 11.0g HMX, 2511 ConneX™
D	--	Detonator - Reference Detonator Section



2 1/2" 6spf 60°