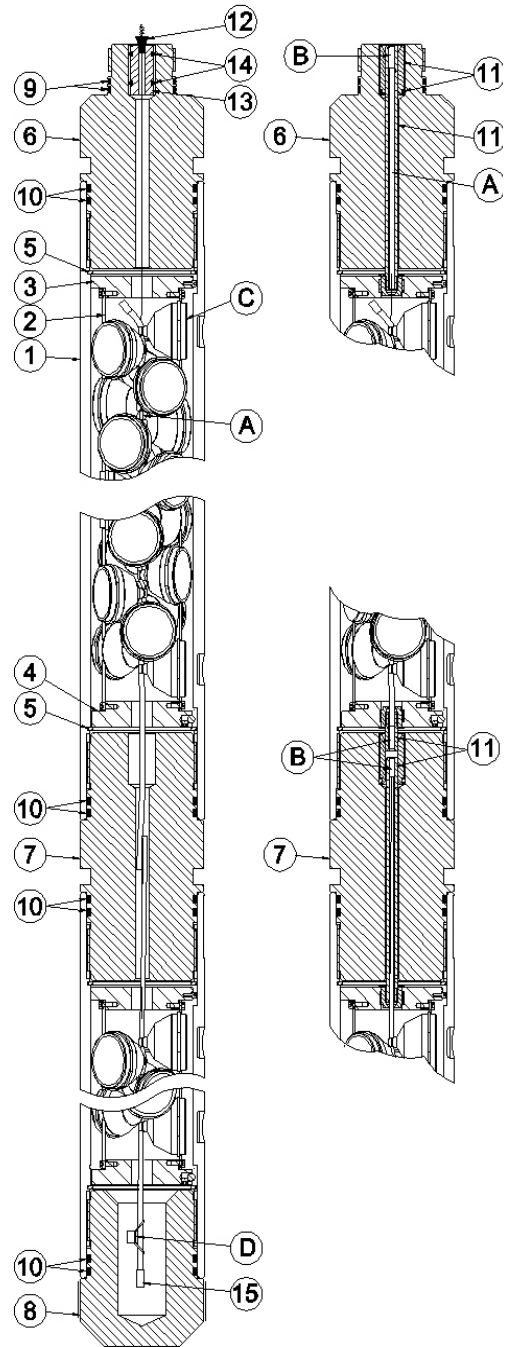


Item	Part Number	Description
	GA5112-5033A-C241	Carrier Assembly 5 1/8" x 21', 12 spf, 135° Phased
	GA5112-5033A-C169	Carrier Assembly 5 1/8" x 15', 12 spf, 135° Phased
	GA5112-5033A-C121	Carrier Assembly 5 1/8" x 11', 12 spf, 135° Phased
	GA5112-5033A-C073	Carrier Assembly 5 1/8" x 7', 12 spf, 135° Phased
	GA5112-5033A-C037	Carrier Assembly 5 1/8" x 4', 12 spf, 135° Phased
*1	C5112-C241	Carrier 5 1/8" x 21', 12 spf, 135° Phased
	C5112-C169	Carrier 5 1/8" x 15', 12 spf, 135° Phased
	C5112-C121	Carrier 5 1/8" x 11', 12 spf, 135° Phased
	C5112-C073	Carrier 5 1/8" x 7', 12 spf, 135° Phased
	C5112-C037	Carrier 5 1/8" x 4', 12 spf, 135° Phased
*2	T5033A-12C-C241	Tube Strip 4" x 21', 12 spf, 135° Phased
	T5033A-12C-C169	Tube Strip 4" x 15', 12 spf, 135° Phased
	T5033A-12C-C121	Tube Strip 4" x 11', 12 spf, 135° Phased
	T5033A-12C-C073	Tube Strip 4" x 7', 12 spf, 135° Phased
	T5033A-12C-C037	Tube Strip 4" x 4', 12 spf, 135° Phased
*3	GN-EP51-5000	Top End Plate (1 qty)
*4	GN-EP51-5015	Bottom End Plate (1 qty)
*5	N5000-425	Snap Ring N5000-425 (2 qty)

\* Included in Carrier Assembly

6	GN-R51-0020	Top Sub, 5 1/8"
7	GN-R51-0021	Tandem, 5 1/8"
8	GN-R51-0022	Bull Plug, 5 1/8"
	GN-R51-0023	Bull Plug 5 1/8" w/ 2 7/8" EUE pin
9	OR-N569-230	O'Ring #230 Nitrile - Reference O'Ring Section
10	OR-N569-346	O'Ring #346 Nitrile - Reference O'Ring Section
11	GN-000-0030	TCP Transfer Kit, 4 1/2" - 7"
12	GN-E00-0020	Spring Contact Assembly
13	GN-E00-0011	Top Sub Wire Line Insert
14	OR-N569-211	O'Ring #211 Nitrile
15	--	Detonating Cord End Cover
A	--	Detonating Cord, 80 Grain Round - Reference Det Cord Section
B	--	Booster
C	EC2-33A2311	Charge, 22.7g RDX, 3-3/8" GEOcmt SDP
	EC2-33A2312	Charge, 22.7g HMX, 3-3/8" GEOcmt SDP
	EC2-33A2321	Charge, 22.7g RDX, 3-3/8" GEOcmt XDP
	EC2-33A2322	Charge, 22.7g HMX, 3323 RaZor™
	EC2-33A2322-RC	Charge, 22.7g HMX, 3323 ConneX™
	EC2-33A2341-HO	Charge, 22.7g RDX, 3-3/8" GEOcmt GH
	EC2-33A2341	Charge, 22.7g RDX, 3-3/8" GEOcmt GH
	EC2-33A2342	Charge, 22.7g HMX, 3-3/8" GEOcmt GH
	EC2-33A2342-RC	Charge, 22.7g HMX, 3323 ConneX™ XEH
	EC2-33A2331	Charge, 22.7g RDX, 3-3/8" GEOcmt BH
	EC2-33A2332	Charge, 22.7g HMX, 3-3/8" GEOcmt BH
D	--	Detonator - Reference Detonator Section



5 1/8" 12spf 135°

5 1/8" Scalloped Gun System  
12 spf 135° Phased, SBH System

Item	Part Number	Description
	GA5112-3551A-C241	Carrier Assembly 5 1/8" x 21', 12 spf, 135° Phased
	GA5112-3551A-C169	Carrier Assembly 5 1/8" x 15', 12 spf, 135° Phased
	GA5112-3551A-C121	Carrier Assembly 5 1/8" x 11', 12 spf, 135° Phased
	GA5112-3551A-C073	Carrier Assembly 5 1/8" x 7', 12 spf, 135° Phased
	GA5112-3551A-C037	Carrier Assembly 5 1/8" x 4', 12 spf, 135° Phased
*1	C5112-C241	Carrier 5 1/8" x 21', 12 spf, 135° Phased
	C5112-C169	Carrier 5 1/8" x 15', 12 spf, 135° Phased
	C5112-C121	Carrier 5 1/8" x 11', 12 spf, 135° Phased
	C5112-C073	Carrier 5 1/8" x 7', 12 spf, 135° Phased
	C5112-C037	Carrier 5 1/8" x 4', 12 spf, 135° Phased
*2	T3551A-12-C241	Tube Strip 4" x 21', 12 spf, 135° Phased
	T3551A-12-C169	Tube Strip 4" x 15', 12 spf, 135° Phased
	T3551A-12-C121	Tube Strip 4" x 11', 12 spf, 135° Phased
	T3551A-12-C073	Tube Strip 4" x 7', 12 spf, 135° Phased
	T3551A-12-C037	Tube Strip 4" x 4', 12 spf, 135° Phased
*3	GN-EP51-3500	Top End Plate (1 qty)
*4	GN-EP51-3515	Bottom End Plate (1 qty)
*5	N5000-425	Snap Ring N5000-425 (2 qty)
* Included in Carrier Assembly		

6	GN-R51-0020	Top Sub, 5 1/8"
7	GN-R51-0021	Tandem, 5 1/8"
8	GN-R51-0022	Bull Plug, 5 1/8"
	GN-R51-0023	Bull Plug 5 1/8" w/2 7/8" EUE pin
9	OR-N569-230	O'Ring #230 Nitrile - Reference 'O'Ring Section
10	OR-N569-346	O'Ring #346 Nitrile - Reference 'O'Ring Section
11	GN-000-0030	TCP Transfer Kit., 4 1/2" - 7"
12	GN-E00-0020	Spring Contact Assembly
13	GN-E00-0011	Top Sub Wire Line Insert
14	OR-N569-211	O'Ring #211 Nitrile
15	--	Detonating Cord End Cover
A	--	Detonating Cord, 80 Grain Round - Reference Det Cord Section
B	--	Booster
C	EC2-51A3231	Charge, 32g RDX, 5-1/8" GEOcmt SBH, Zinc Case
	EC2-51B3231	Charge, 32g RDX, 5-1/8" GEOcmt SBH, Steel Case
D	--	Detonator - Reference Detonator Section

