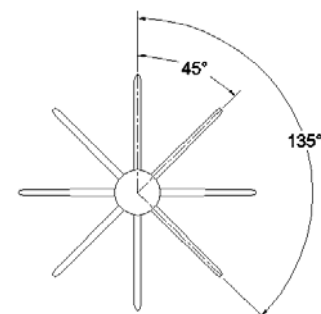
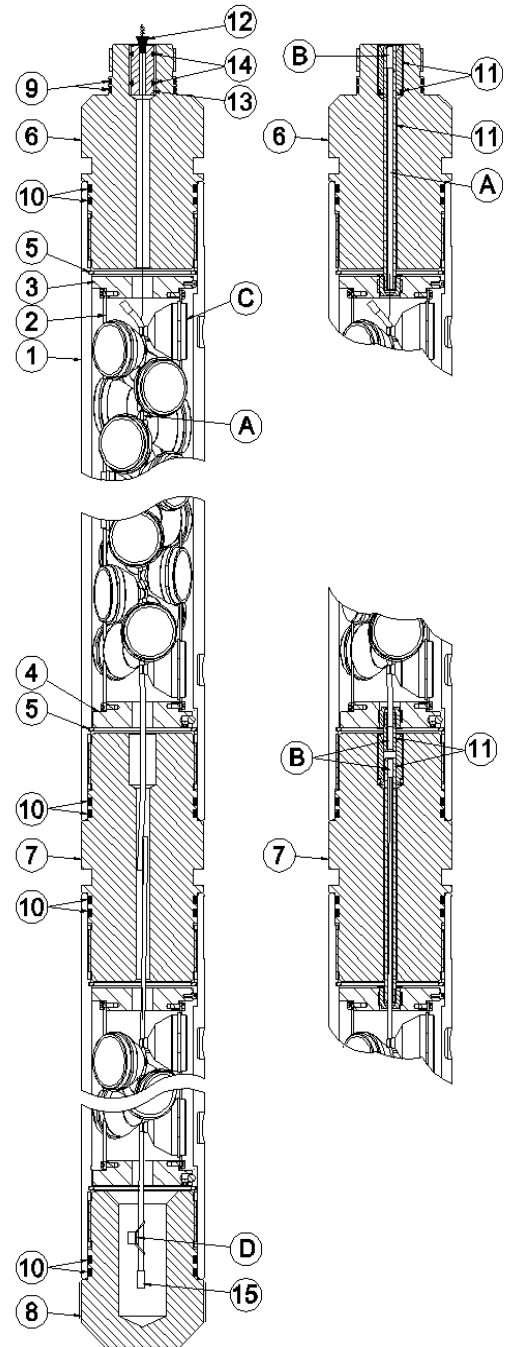


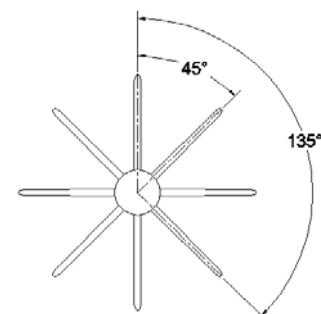
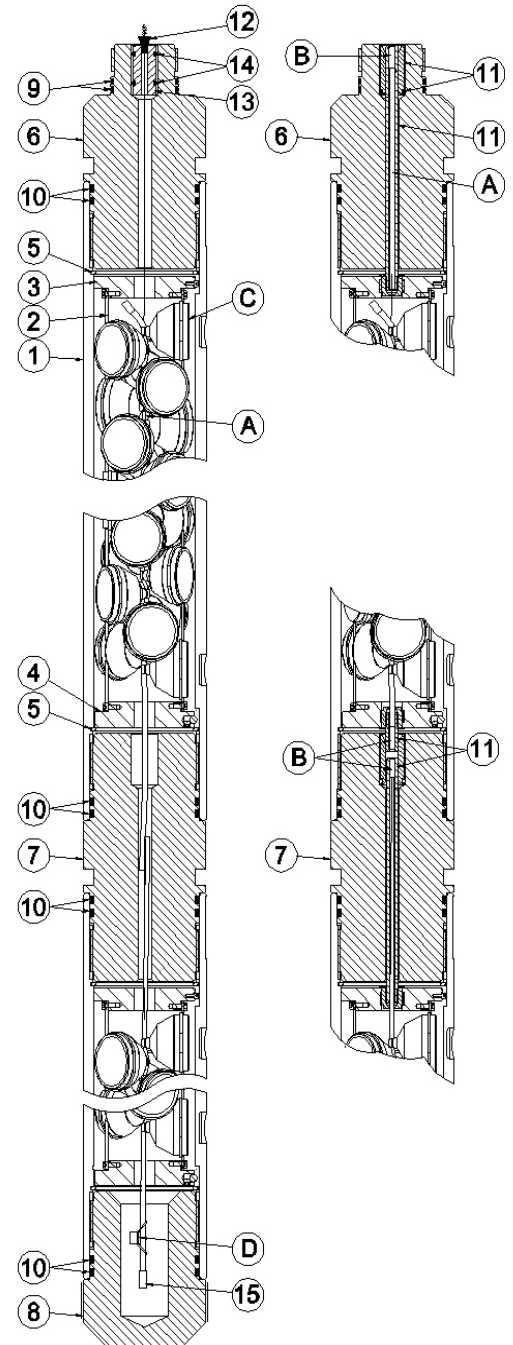
Item	Part Number	Description
	GA7012-3040A-C238	Carrier Assembly 7" x 21', 12 spf, 135° Phased
	GA7012-3040A-C166	Carrier Assembly 7" x 15', 12 spf, 135° Phased
	GA7012-3040A-C118	Carrier Assembly 7" x 11', 12 spf, 135° Phased
	GA7012-3040A-C070	Carrier Assembly 7" x 7', 12 spf, 135° Phased
	GA7012-3040A-C034	Carrier Assembly 7" x 4', 12 spf, 135° Phased
*1	C7012-C238	Carrier 7" x 21', 12 spf, 135° Phased
	C7012-C166	Carrier 7" x 15', 12 spf, 135° Phased
	C7012-C118	Carrier 7" x 11', 12 spf, 135° Phased
	C7012-C070	Carrier 7" x 7', 12 spf, 135° Phased
	C7012-C034	Carrier 7" x 4', 12 spf, 135° Phased
*2	T3040A-12-C238	Tube Strip 7" x 21', 12 spf, 135° Phased
	T3040A-12-C166	Tube Strip 7" x 15', 12 spf, 135° Phased
	T3040A-12-C118	Tube Strip 7" x 11', 12 spf, 135° Phased
	T3040A-12-C070	Tube Strip 7" x 7', 12 spf, 135° Phased
	T3040A-12-C034	Tube Strip 7" x 4', 12 spf, 135° Phased
*3	GN-EP70-3000	Top End Plate (1 qty)
*4	GN-EP70-3015	Bottom End Plate (1 qty)
*5	N5000-600	Snap Ring N5000-600 (2 qty)
* Included in Carrier Assembly		

6	GN-R70-0020	Top Sub, 7"
7	GN-R70-0021	Tandem, 7"
8	GN-R70-0022	Bull Plug, 7"
	GN-R70-0023	Bull Plug 7" w/2 7/8" EUE pin
9	OR-N569-230	O'Ring #230 Nitrile - Reference O'Ring Section
10	OR-N569-360	O'Ring #360 Nitrile - Reference O'Ring Section
11	GN-000-0030	TCP Transfer Kit., 4 1/2" - 7"
12	GN-E00-0020	Spring Contact Assembly
13	GN-E00-0011	Top Sub Wire Line Insert
14	OR-N569-211	O'Ring #211 Nitrile
15	--	Detonating Cord End Cover
A	--	Detonating Cord, 80 Grain Round - Reference Det Cord Section
B	--	Booster
C	EC2-40A3921	Charge, 39.0g RDX, 4" GEOcmt XDP
	EC2-40A3922	Charge, 39.0g HMX, 4039 RaZor™
	EC2-40A3922-RC	Charge, 39.0g HMX, 4039 ConneX™
D	--	Detonator - Reference Detonator Section



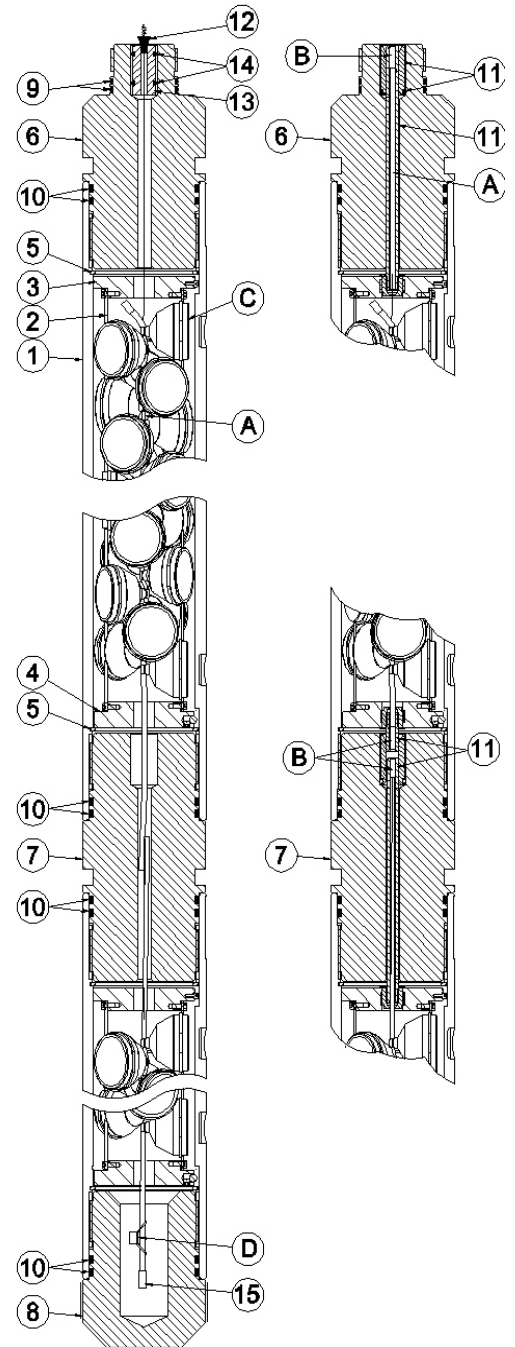
Item	Part Number	Description
	GA7012-2070C-C238	Carrier Assembly 7" x 21', 12 spf, 135° Phased
	GA7012-2070C-C166	Carrier Assembly 7" x 15', 12 spf, 135° Phased
	GA7012-2070C-C118	Carrier Assembly 7" x 11', 12 spf, 135° Phased
	GA7012-2070C-C070	Carrier Assembly 7" x 7', 12 spf, 135° Phased
	GA7012-2070C-C034	Carrier Assembly 7" x 4', 12 spf, 135° Phased
*1	C7012-C238	Carrier 7" x 21', 12 spf, 135° Phased
	C7012-C166	Carrier 7" x 15', 12 spf, 135° Phased
	C7012-C118	Carrier 7" x 11', 12 spf, 135° Phased
	C7012-C070	Carrier 7" x 7', 12 spf, 135° Phased
	C7012-C034	Carrier 7" x 4', 12 spf, 135° Phased
*2	T2070C-12-C238	Tube Strip 7" x 21', 12 spf, 135° Phased
	T2070C-12-C166	Tube Strip 7" x 15', 12 spf, 135° Phased
	T2070C-12-C118	Tube Strip 7" x 11', 12 spf, 135° Phased
	T2070C-12-C070	Tube Strip 7" x 7', 12 spf, 135° Phased
	T2070C-12-C034	Tube Strip 7" x 4', 12 spf, 135° Phased
*3	GN-EP70-2000	Top End Plate (1 qty)
*4	GN-EP70-2015	Bottom End Plate (1 qty)
*5	N5000-600	Snap Ring N5000-600 (2 qty)
* Included in Carrier Assembly		

6	GN-R70-0020	Top Sub, 7"
7	GN-R70-0021	Tandem, 7"
8	GN-R70-0022	Bull Plug, 7"
	GN-R70-0023	Bull Plug 7" w/2 7/8" EUE pin
9	OR-N569-230	O'Ring #230 Nitrile - Reference O'Ring Section
10	OR-N569-360	O'Ring #360 Nitrile - Reference O'Ring Section
11	GN-000-0030	TCP Transfer Kit., 4 1/2" - 7"
12	GN-E00-0020	Spring Contact Assembly
13	GN-E00-0011	Top Sub Wire Line Insert
14	OR-N569-211	O'Ring #211 Nitrile
15	--	Detonating Cord End Cover
A	--	Detonating Cord, 80 Grain Round - Reference Det Cord Section
B	--	Booster
C	EC2-70C3931	Charge, 39g RDX, 7" GEOcmt SBH, LD, Zinc Case
	EC2-70A3931	Charge, 39g RDX, 7" GEOcmt SBH, Steel Case
	EC2-70C3932	Charge, 39g HMX, 7" GEOcmt SBH, LD, Zinc Case
	EC2-70A3932	Charge, 39g HMX, 7" GEOcmt SBH, Steel Case
D	--	Detonator - Reference Detonator Section



Item	Part Number	Description
	GA7015-2070C-D296	Carrier Assembly 7" x 21', 15 spf, 140° Phased
	GA7015-2070C-D206	Carrier Assembly 7" x 15', 15 spf, 140° Phased
	GA7015-2070C-D146	Carrier Assembly 7" x 11', 15 spf, 140° Phased
	GA7015-2070C-D086	Carrier Assembly 7" x 7', 15 spf, 140° Phased
	GA7015-2070C-D041	Carrier Assembly 7" x 4', 15 spf, 140° Phased
*1	C7015-D296	Carrier 7" x 21', 15 spf, 140° Phased
	C7015-D206	Carrier 7" x 15', 15 spf, 140° Phased
	C7015-D146	Carrier 7" x 11', 15 spf, 140° Phased
	C7015-D086	Carrier 7" x 7', 15 spf, 140° Phased
	C7015-D041	Carrier 7" x 4', 15 spf, 140° Phased
*2	T2070C-15-D296	Tube Strip 7" SBH x 21', 15 spf, 140° Phased
	T2070C-15-D206	Tube Strip 7" SBH x 15', 15 spf, 140° Phased
	T2070C-15-D146	Tube Strip 7" SBH x 11', 15 spf, 140° Phased
	T2070C-15-D086	Tube Strip 7" SBH x 7', 15 spf, 140° Phased
	T2070C-15-D041	Tube Strip 7" SBH x 4', 15 spf, 140° Phased
*3	GN-EP70-2000	Top End Plate (1 qty)
*4	GN-EP70-2015	Bottom End Plate (1 qty)
*5	N5000-600	Snap Ring N5000-600 (2 qty)
* Included in Carrier Assembly		

6	GN-R70-0020	Top Sub, 7"
7	GN-R70-0021	Tandem, 7"
8	GN-R70-0022	Bull Plug, 7"
	GN-R70-0023	Bull Plug 7" w /2 7/8" EUE pin
9	OR-N569-230	O'Ring #230 Nitrile - Reference 'O'Ring Section
10	OR-N569-360	O'Ring #360 Nitrile - Reference 'O'Ring Section
11	GN-000-0030	TCP Transfer Kit., 4 1/2" - 7"
12	GN-E00-0020	Spring Contact Assembly
13	GN-E00-0011	Top Sub Wire Line Insert
14	OR-N569-211	O'Ring #211 Nitrile
15	--	Detonating Cord End Cover
A	--	Detonating Cord, 80 Grain Round - Reference Det Cord Section
B	--	Booster
C	EC2-70C3931	Charge, 39g RDX, 7" GEOcmt SBH, LD, Zinc Case
	EC2-70A3931	Charge, 39g RDX, 7" GEOcmt SBH, Steel Case
	EC2-70C3932	Charge, 39g HMX, 7" GEOcmt SBH, LD, Zinc Case
	EC2-70A3932	Charge, 39g HMX, 7" GEOcmt SBH, Steel Case
D	--	Detonator - Reference Detonator Section



7" 15spf 140°

